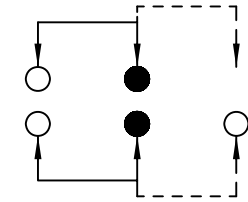
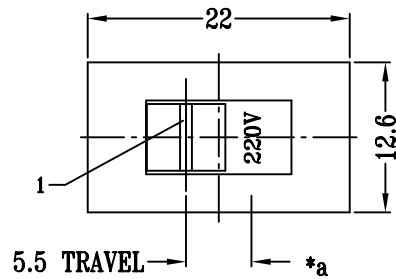
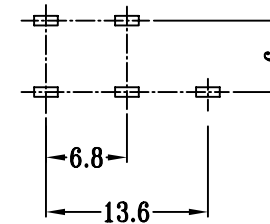
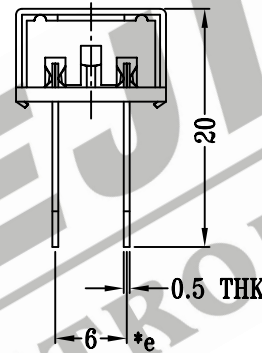
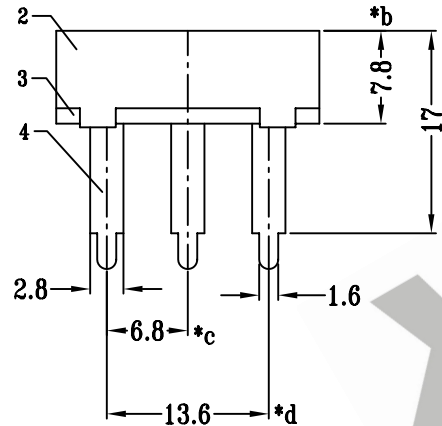


CAD FILE : Z:\LM\NEW\R14\SS\SS22K24



SCHEMATIC (NON-SHORTING)



P.C.B LAYOUT

XIEJIA ELECTRONICS

注:带"*"表示关键尺寸(5个)

8	CONTACT CLIP	PBS STRIP	2	Ag PLATED	TOLERANCE UNLESS SPECIFIED	SHENZHEN XIEJIA ELECTRONICS CO.,LTD.				
7	POSITION PLATE	STEEL STRIP	1	Ni PLATED						
6	STEEL BALL	STEEL	1	NATURAL	WITHIN: 1.5±0.1mm	ISSUE	DATE	DESCRIPTIONS		APPD
5	SPRING	STEEL WIRE	1	TEMPER	OVER : 1.5±0.2mm					
4	TERMINAL	BRASS STRIP	5	Ag PLATED OVER Ni PLATED	TITLEV: VERTICAL SLIDE SWITCH		UNIT : M M	DRWG NO : XJ-DR-SS22K24-00		
3	TERMINAL BASE	PHENOLIC RESIN	1	BLACK	MODEL : SS-22K24		SCALE : 3:2	DWN.	ZHOUYU	2002-9-23
2	FRAME	STEEL STRIP	1	Zn PLATED				CHK'D	FANGYING	2002-9-23
1	KNOB	PC	1	BLACK	ALL MATERIALS MUST BE COMPLIANT TO ROHS		APPD.	KANGXINAN	2002-9-23	
NO.	PART NAME	MATERIAL	QTY.	FINISHING						